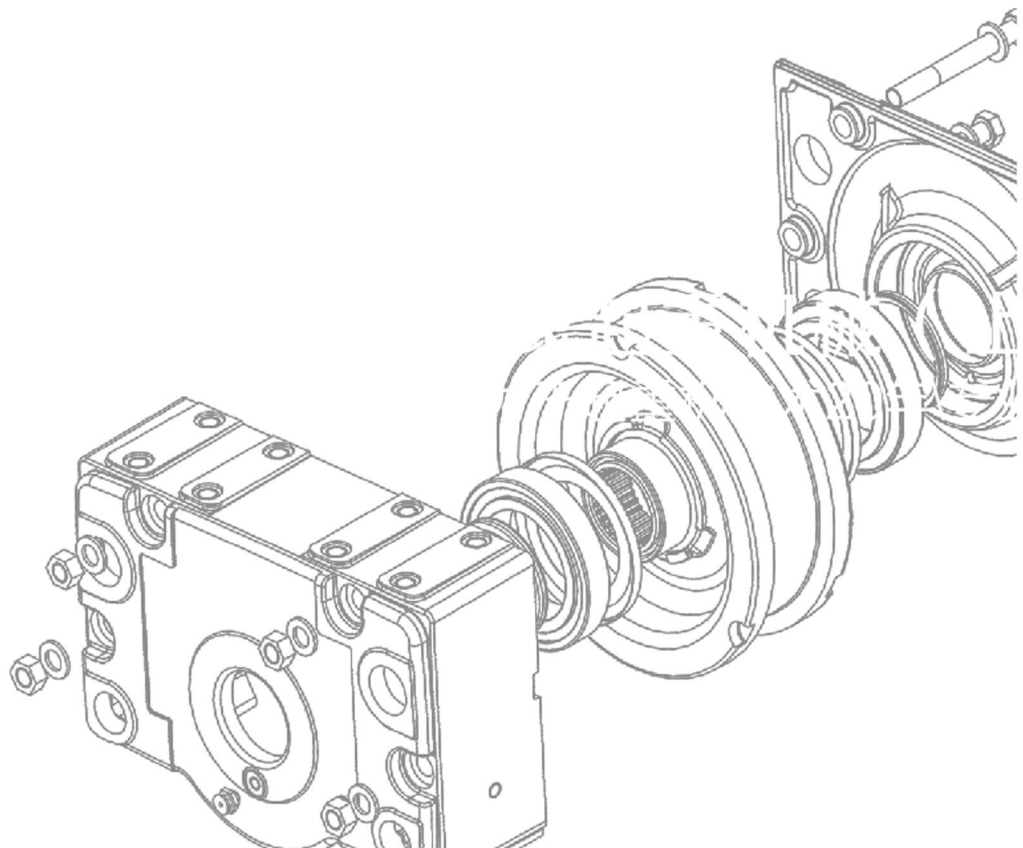
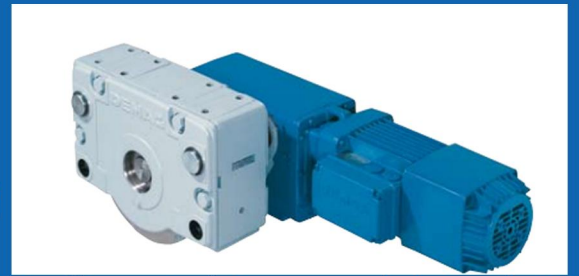


# KFS Wheel Block

---

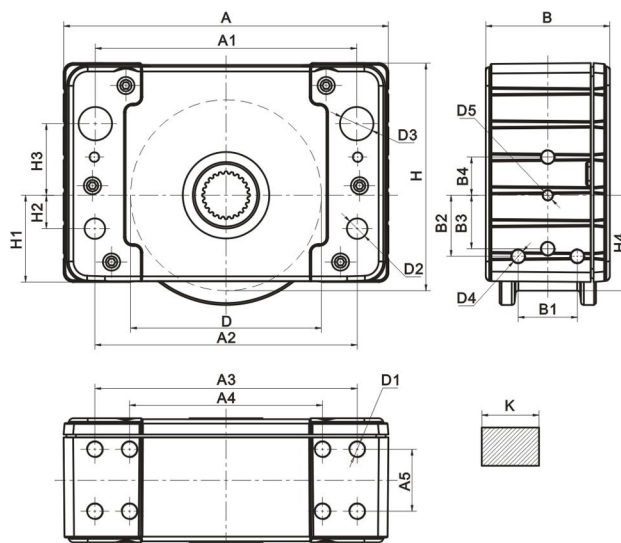
KUNFENG Heavy Industry (Suzhou) Co., Ltd

Dedicated to the research and development of intelligent drive module solution





Gearbox

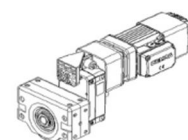


Sectional View of Gearbox

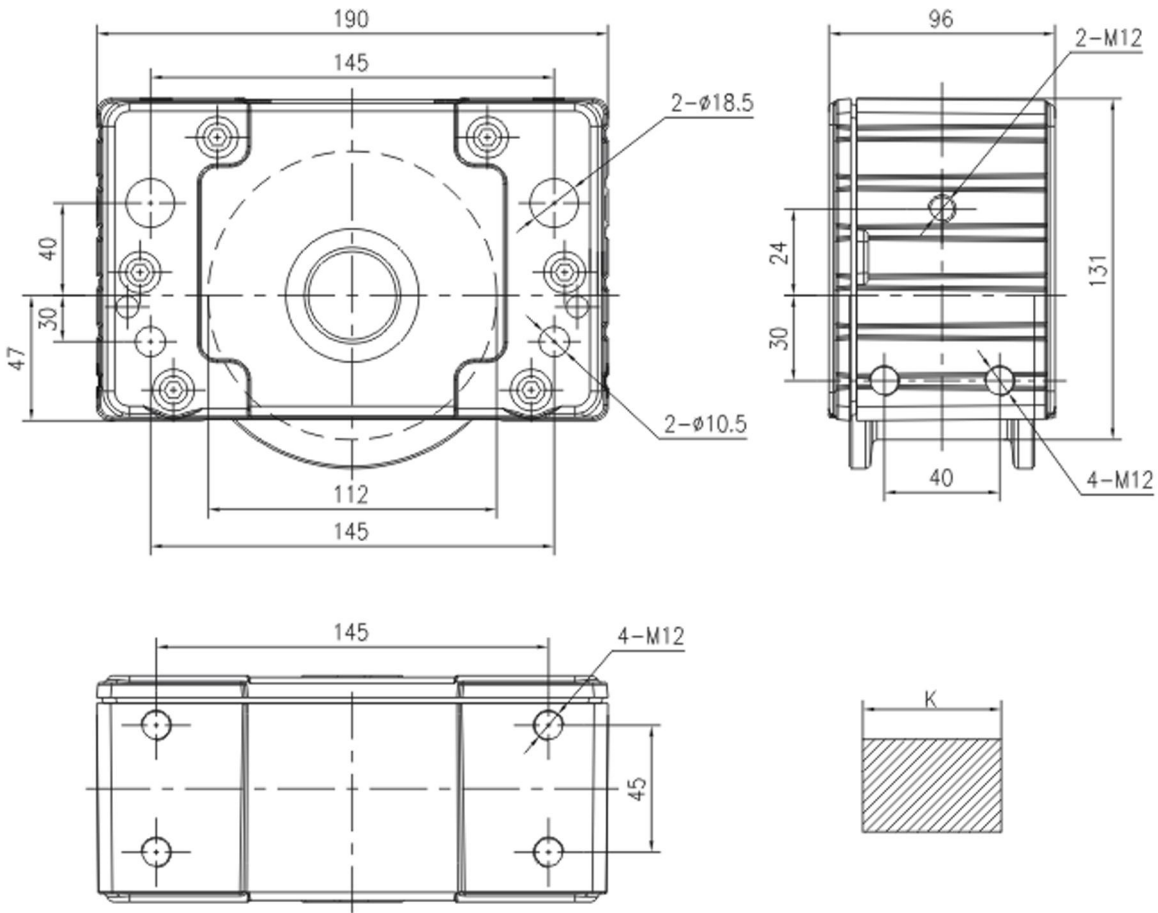
**Technical Parameters**

Type D	A mm	B mm	H mm	K mm	H1 mm	H2 mm	H3 mm	H4 mm	B1 mm	B2 mm	B3 mm	B4 mm
KFS 112	190	96	131	55	47	30	40	80	40	30	-	24
KFS 125	220	98	147.5	55	53.5	20	40	100	50	37	-	37.5
KFS 160	275	110	187	60	70	25	55	100	54	47.5	-	20
KFS 200	340	130	238	60	90	35	75	100	62	64	56	40
KFS 250	385	150	281	75	89	50	80	100	-	-	-	-
KFS 315	470	180	349.5	90	114	70	80	100	-	-	-	30
KFS 400	580	210	440	-	144	95	130	100	-	-	-	30
KFS 500	700	240	566	-	183	110	160	100	-	-	-	30

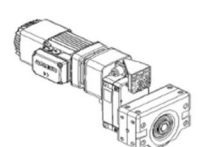
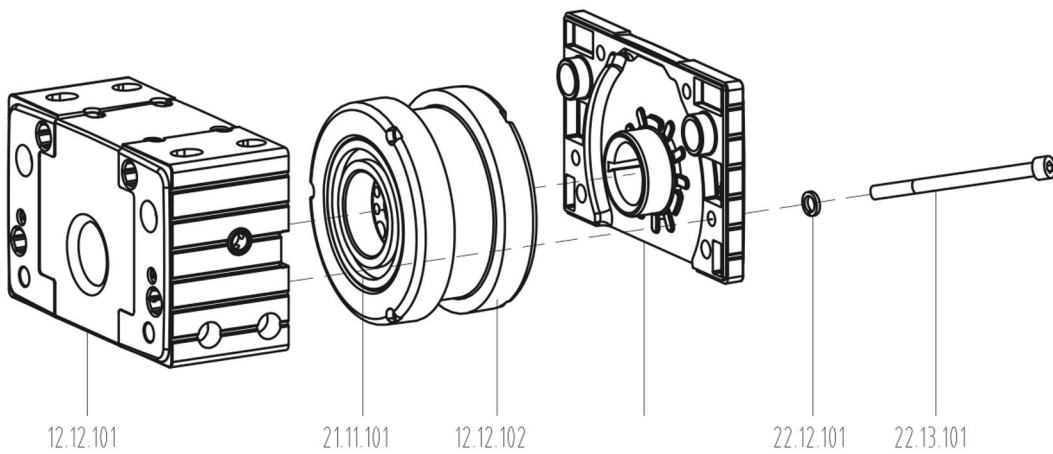
Type D	A1 mm	A2 mm	A3 mm	A4 mm	A5 mm	D1	D2 mm	D3 mm	D4	D5	Weight kg	Max.Load kN
KFS 112	145	145	145	-	45	4xM12	10.5	18.5	4xM12	2xM12	10	27.5
KFS 125	175	175	170	-	55	4xM12	13	21	4xM12	2xM12	15	50
KFS 160	220	220	220	-	55	4xM16	17	30	4xM16	2xM12	26	70
KFS 200	275	275	275	-	65	4xM16	20	35	8xM16	2xM12	41	100
KFS 250	310	310	290	140	80	8xM16	34F8	40	2xM12	-	70	160
KFS 315	370	370	360	180	100	8xM16	40F8	50	2xM12	2xM20	130	220
KFS 400	450	450	440	210	120	8xM20	31H13	65	2xM12	2xM20	220	300
KFS 500	580	580	620	480	125	8xM20	31H13	70	2xM12	2xM20	380	400



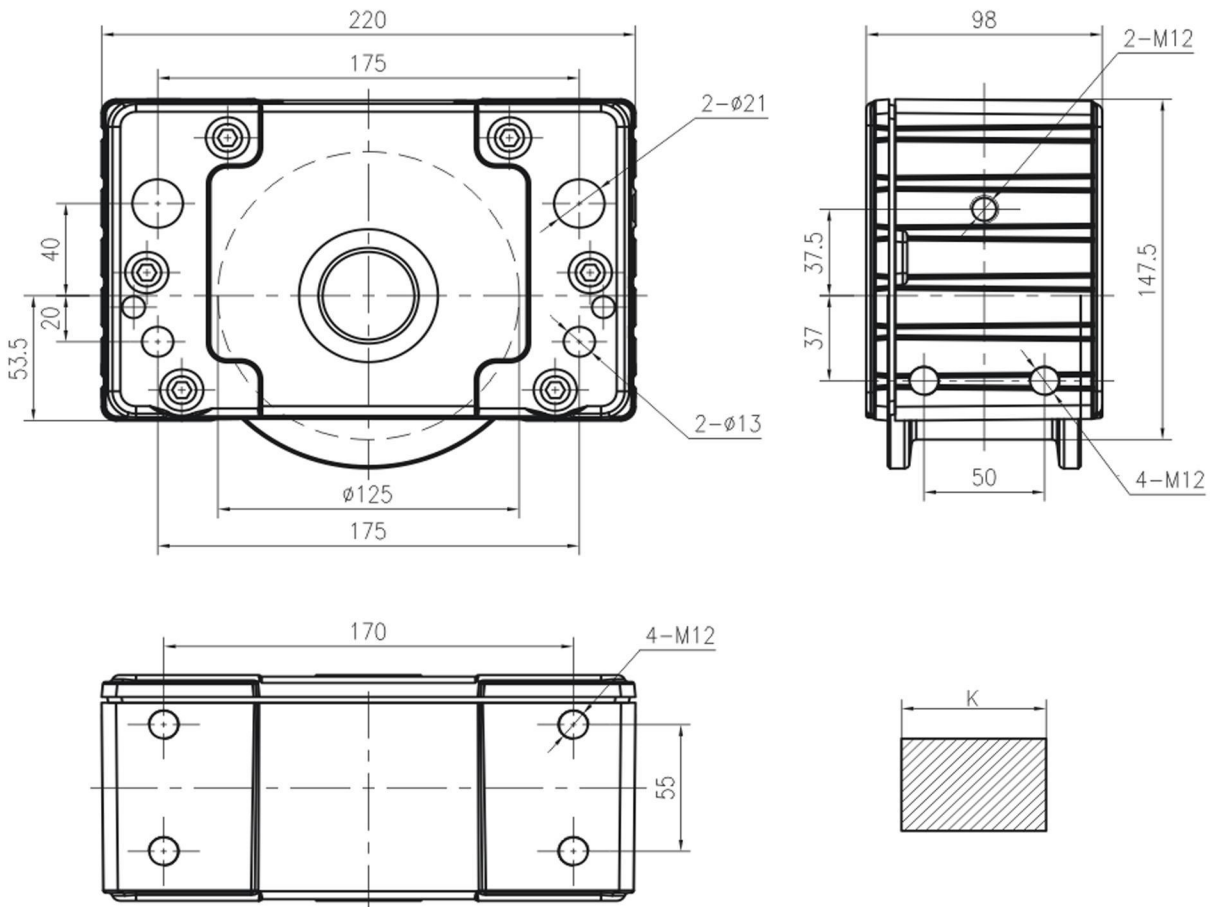
► **KFS 112 Wheel Block**



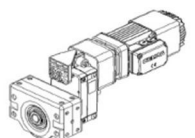
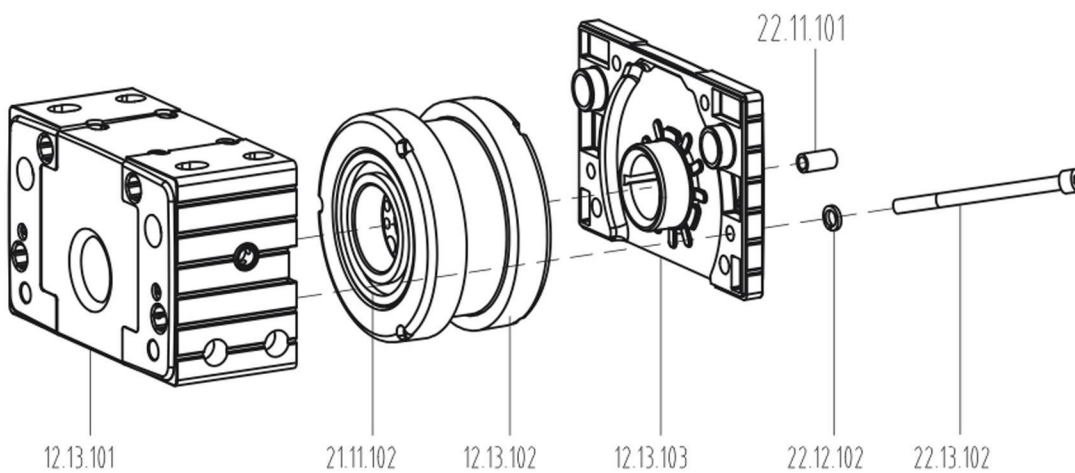
Weight (kg)	Max Wheel load (kN)	K-max (mm)	Splined hub profile DIN 54:80	Bear type
10	27.5	55	W30x1.25x30°x22x7H	6207-2Z



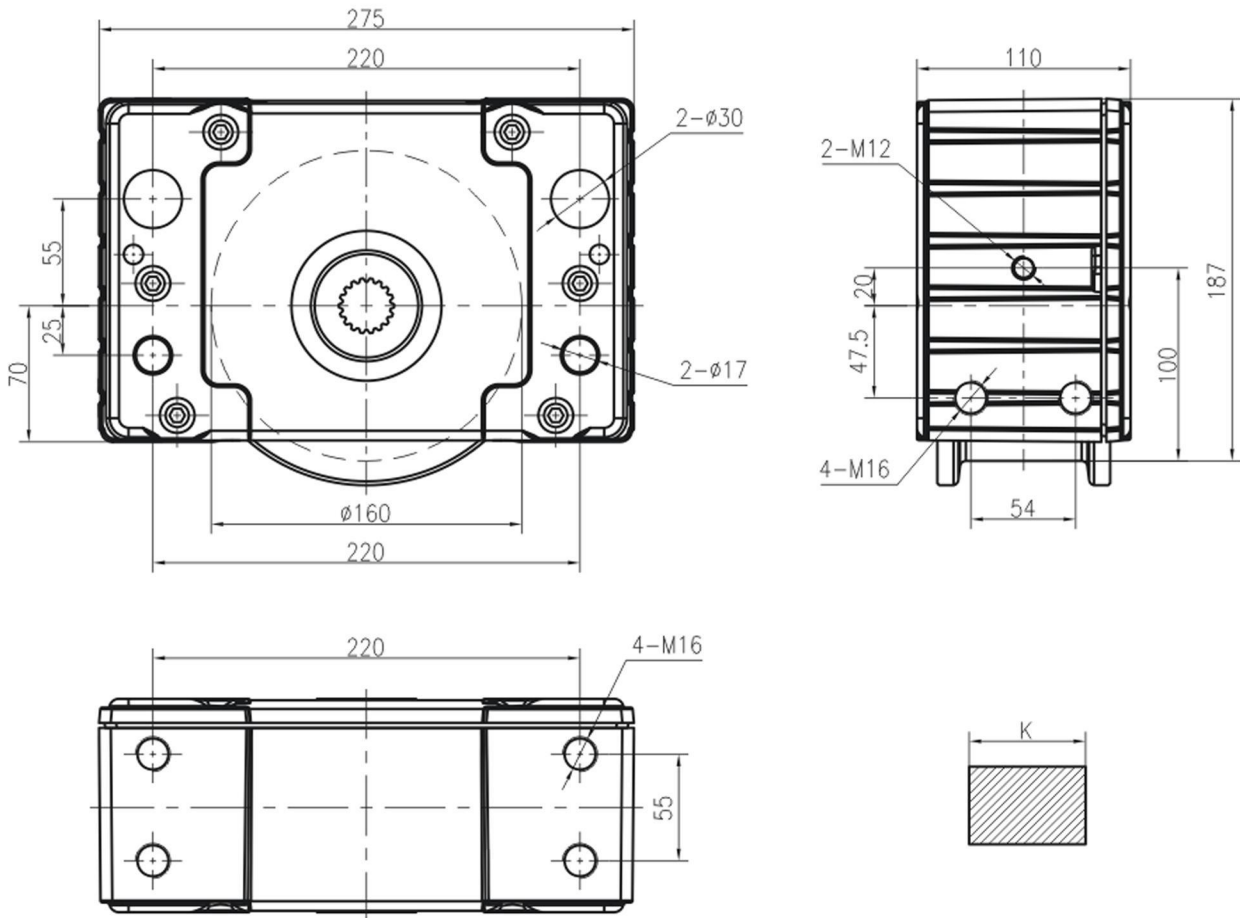
► **KFS 125 Wheel Block**



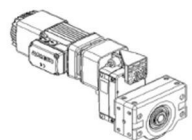
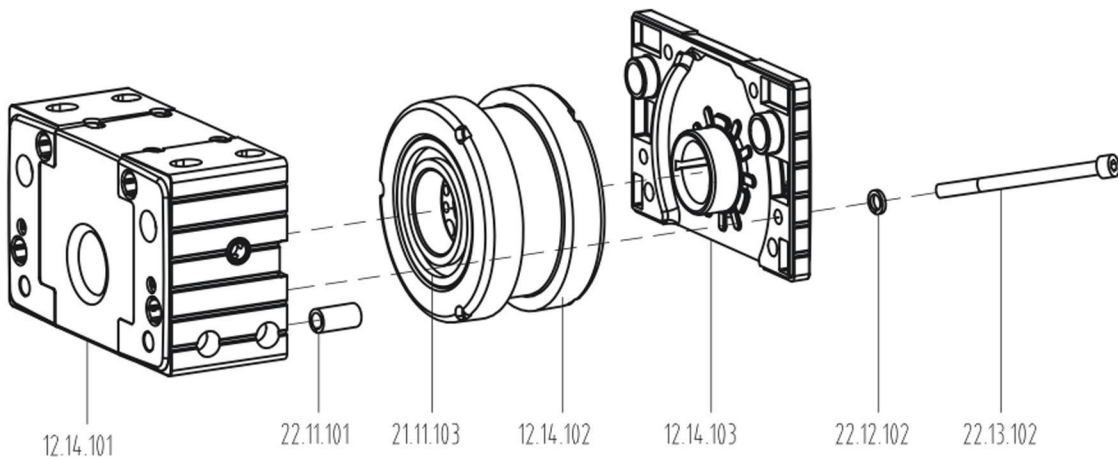
Weight (kg)	Max Wheel load (kN)	K-max (mm)	Splined hub profile DIN 5480	Bear type
15	50	55	W30×1.25×30°×22×7H	6211-2Z
			W35×2×30°×16×7H	



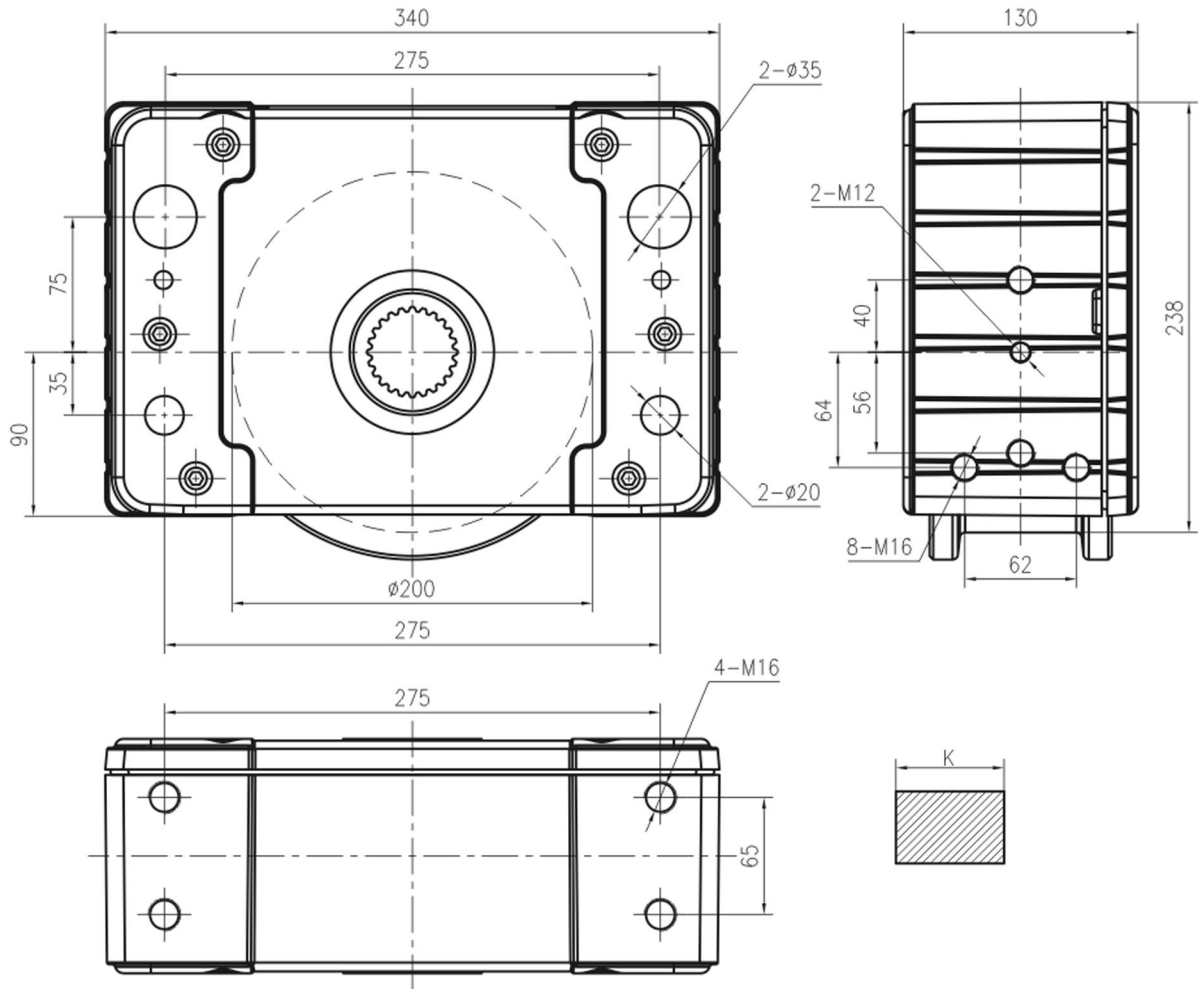
► **KFS 160 Wheel Block**



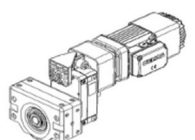
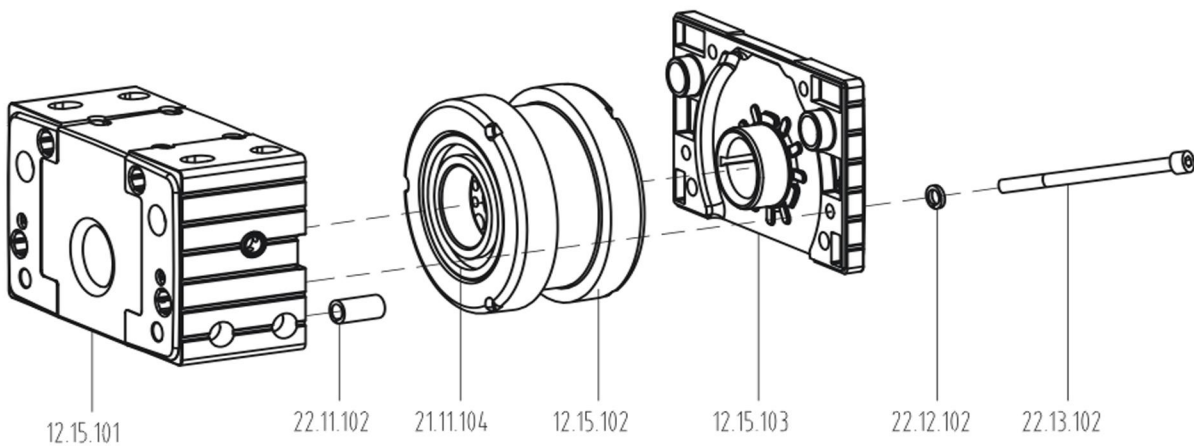
Weight (kg)	Max Wheel load (kN)	K-max (mm)	Splined hub profile DIN 5480	Bear type
26.5	70	60	W35×2×30°×16×7H	6215-2Z
			W45×2×30°×21×7H	



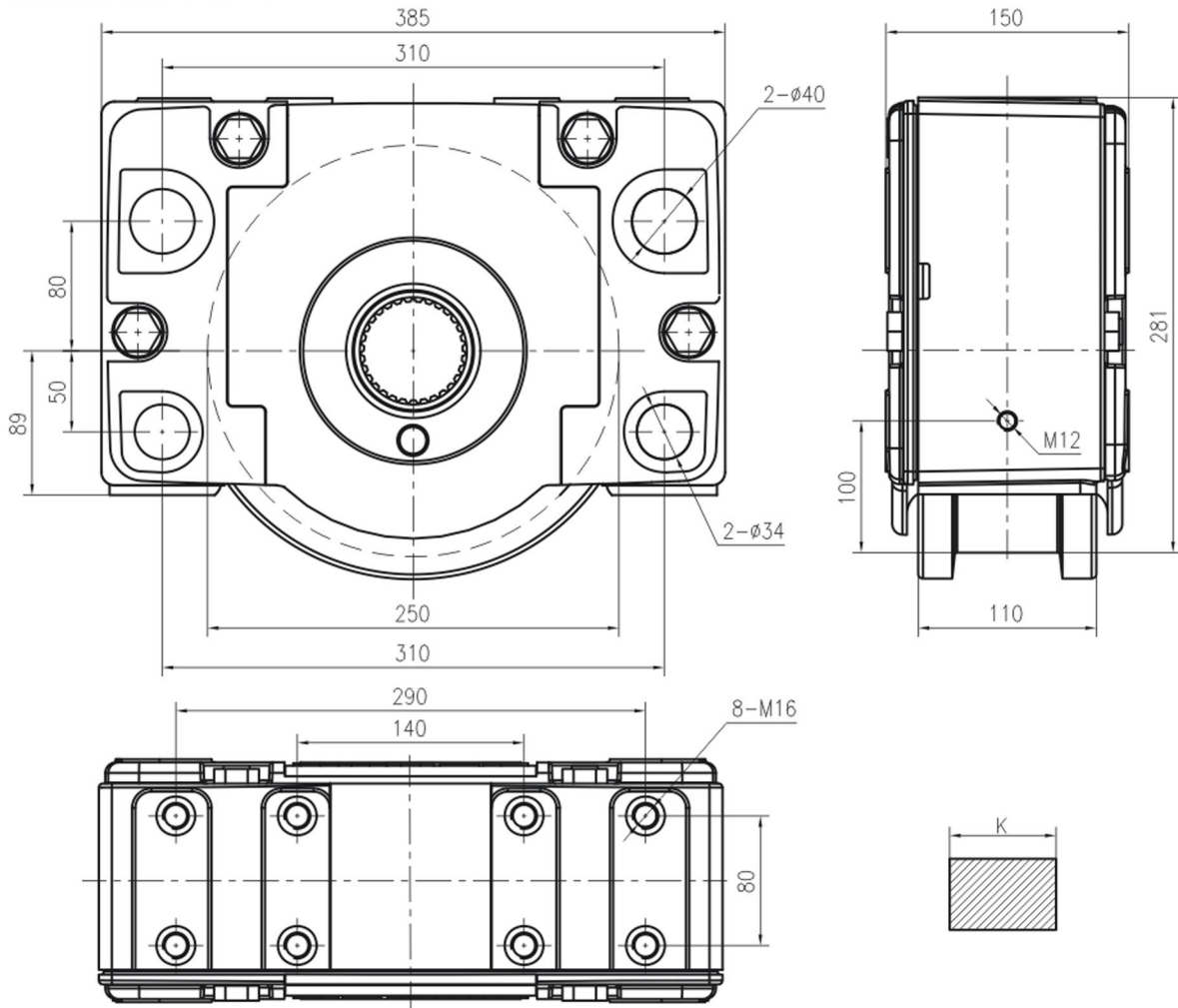
► KFS 200 Wheel Block



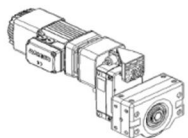
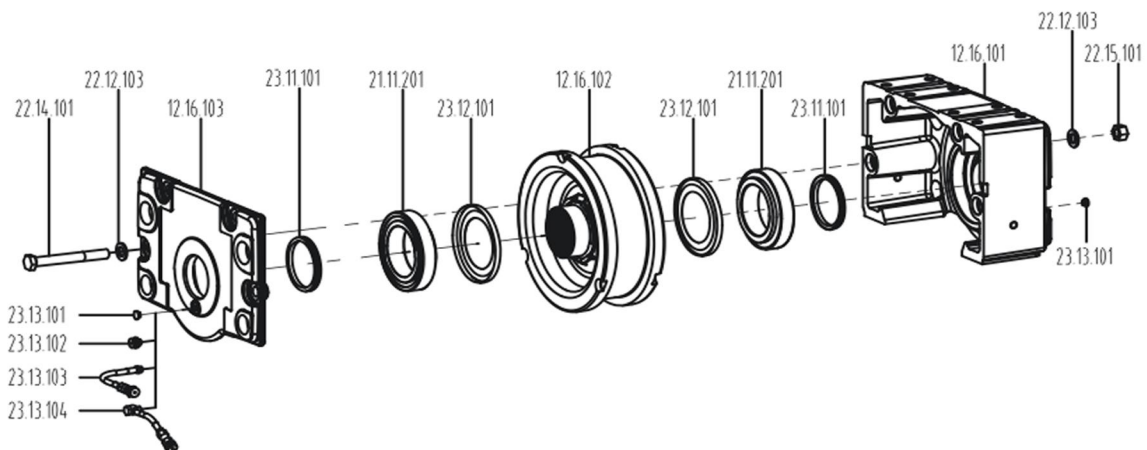
Weight (kg)	Max Wheel load (kN)	K-max (mm)	Splined hub profile DIN 5480	Bear type
41.5	100	60	W45×2×30°×21×7H	6218-2Z
			W50×2×30°×24×7H	



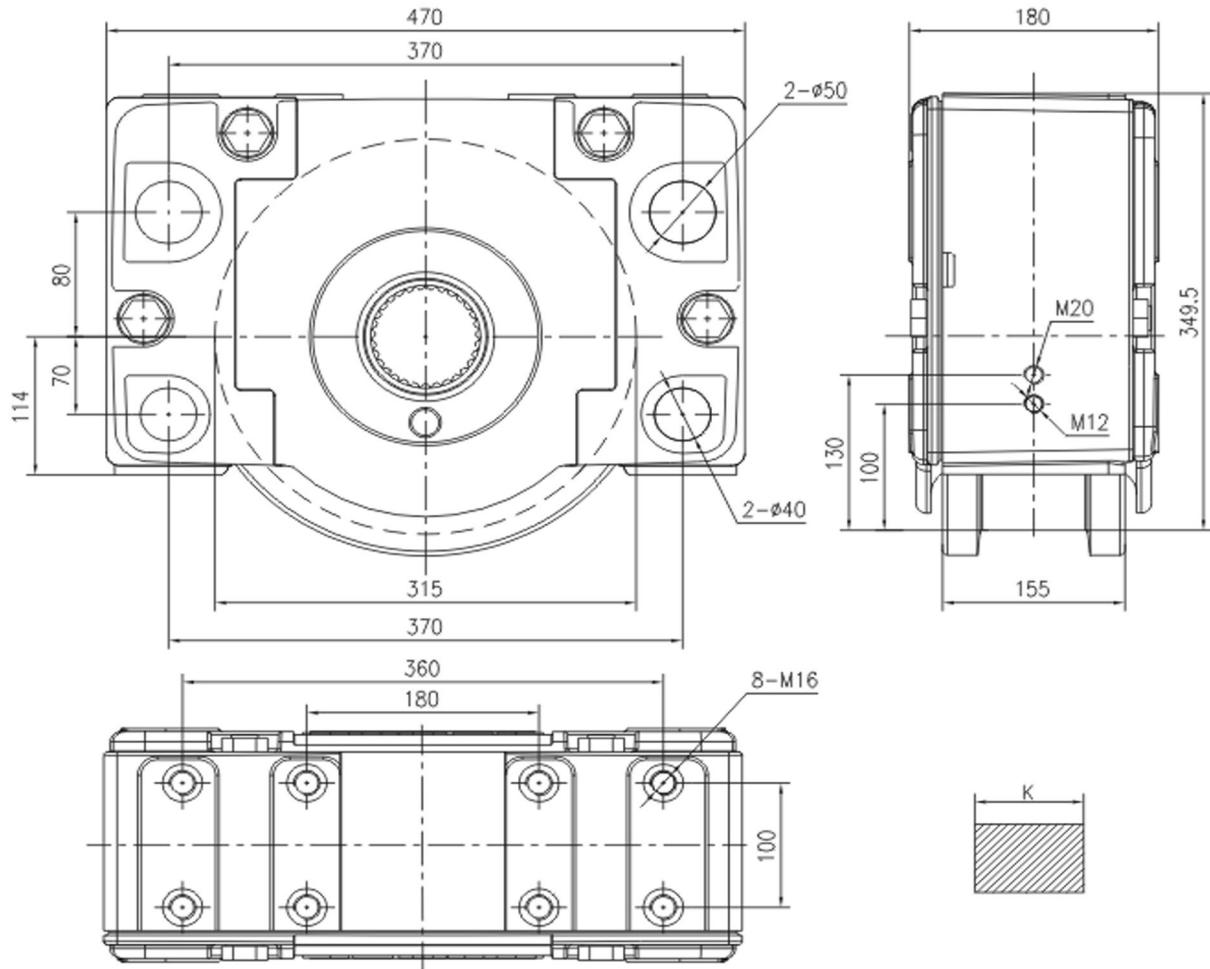
► **KFS 250 Wheel Block**



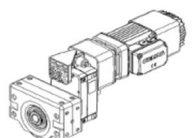
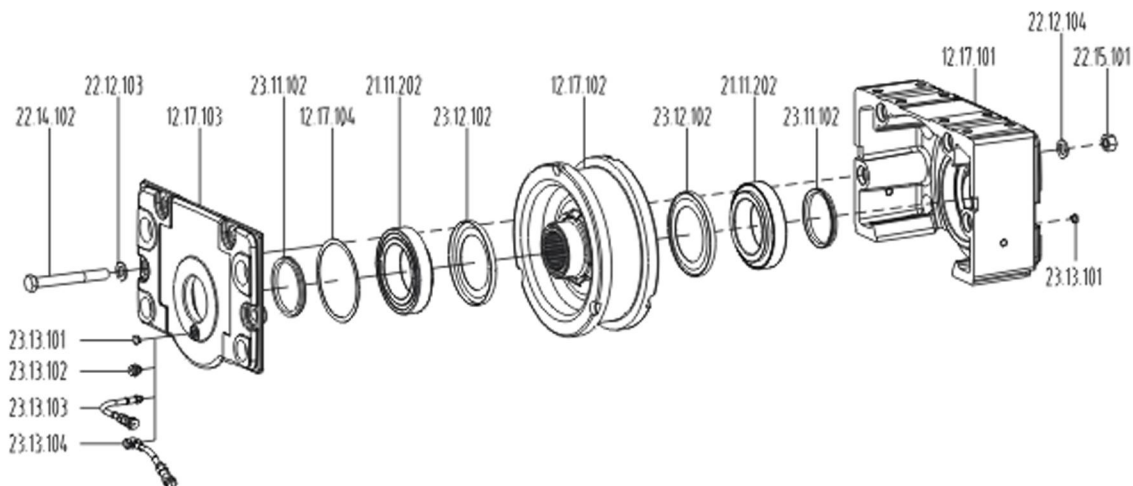
Weight (kg)	Max Wheel load (kN)	K-max (mm)	Splined hub profile DIN 5480	Bear type
41	100	75	W50×2×30°×24×7H	32018X
			W65×2×30°×31×7H	



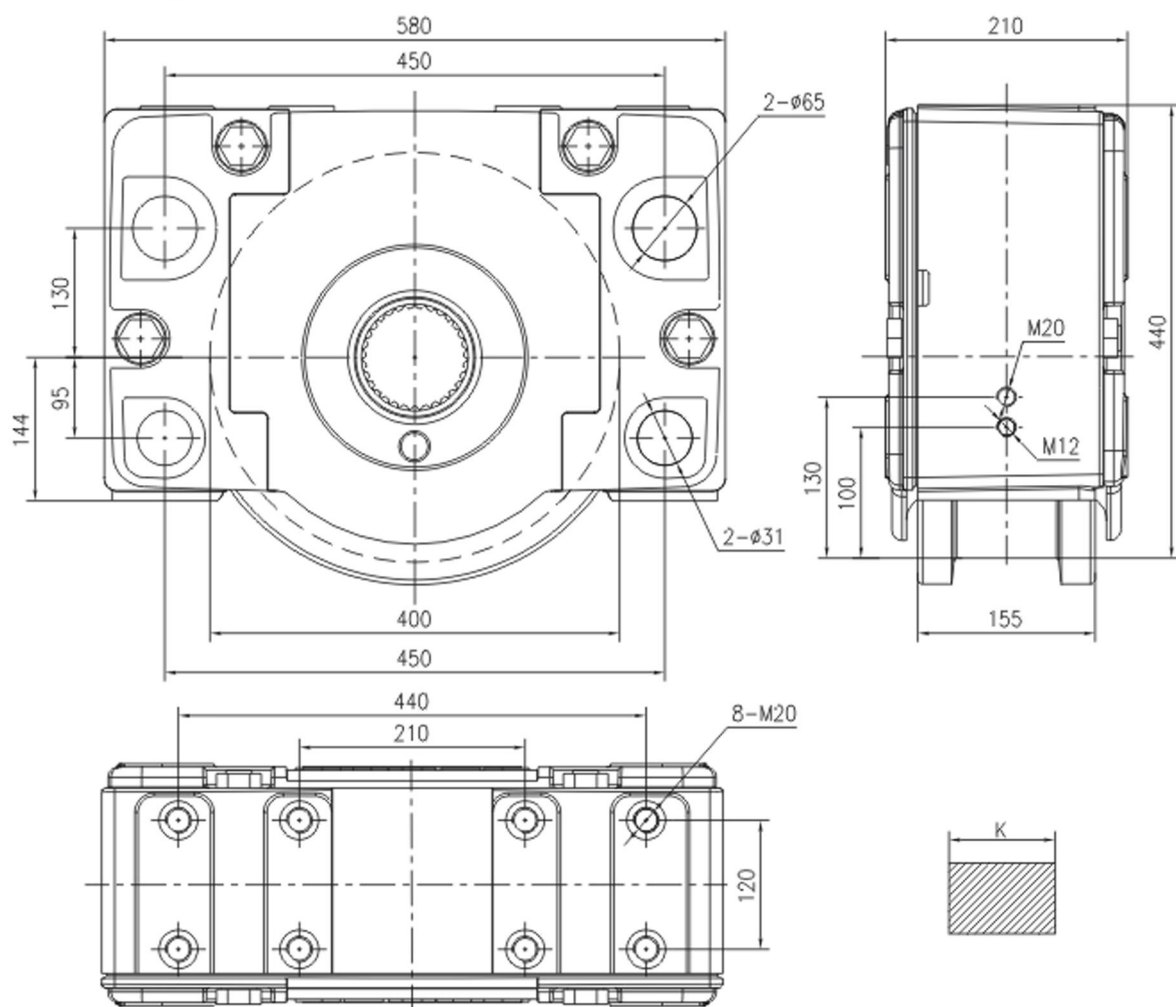
► KFS 315 Wheel Block



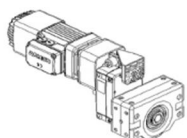
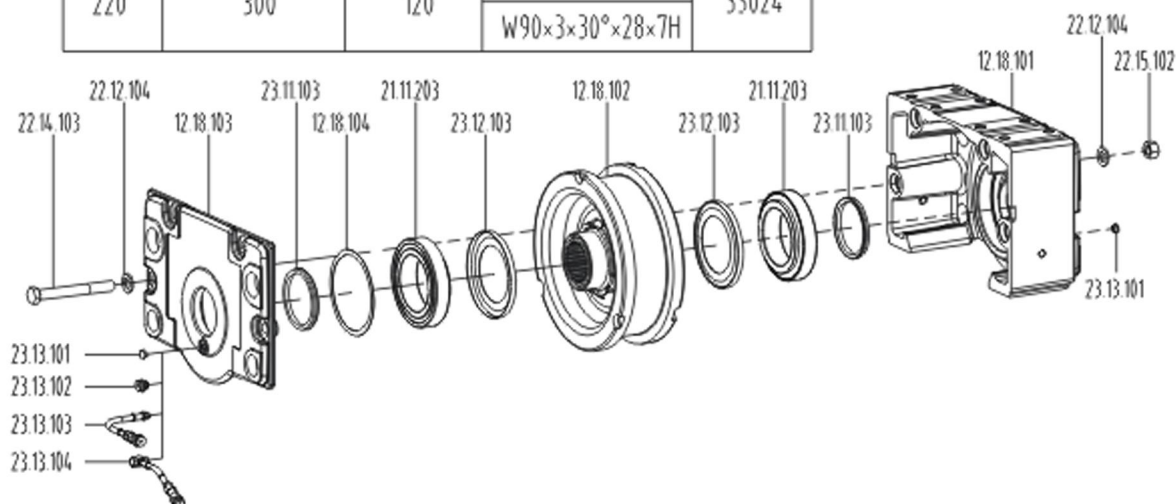
Weight (kg)	Max Wheel load (kN)	K-max (mm)	Splined hub profile DIN 5480	Bear type
130	220	90	W65×2×30°×31×7H	33022
			W75×3×30°×24×7H	



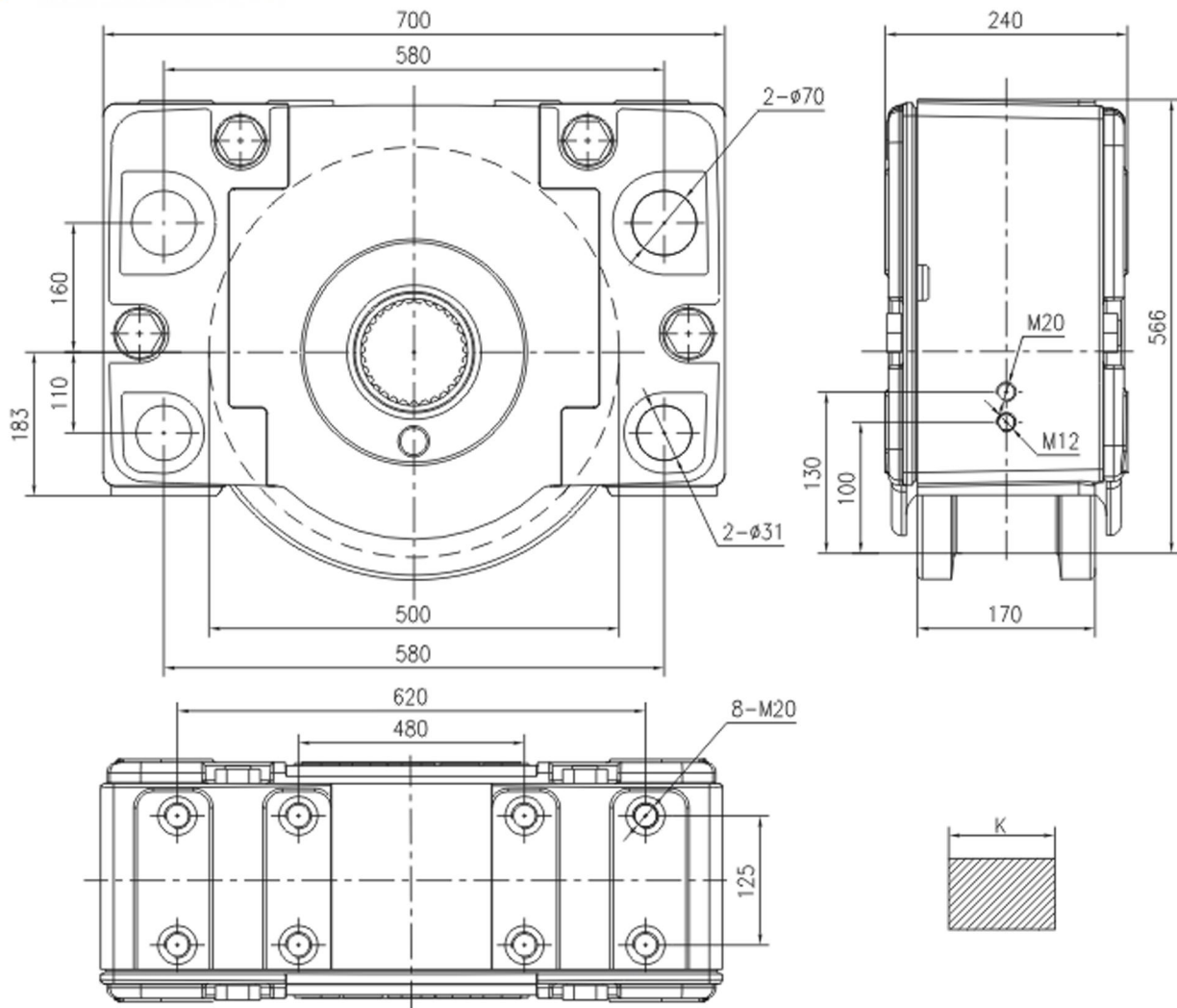
► **KFS 400 Wheel Block**



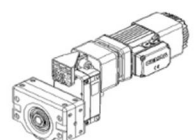
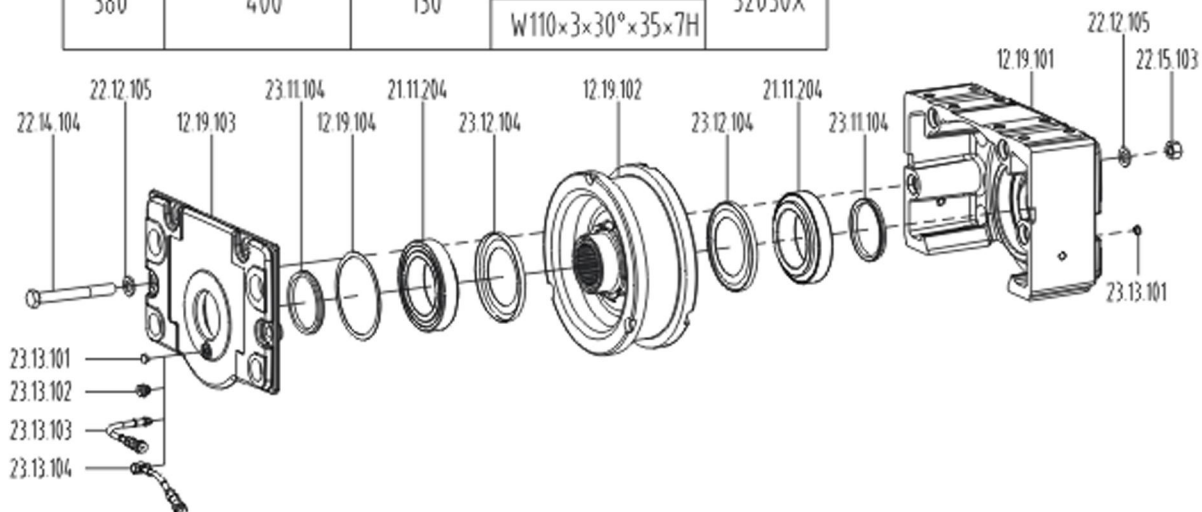
Weight (kg)	Max Wheel load (kN)	K-max (mm)	Splined hub profile DIN 5480	Bear type
220	300	120	W75×3×30°×24×7H	33024
			W90×3×30°×28×7H	



► **KFS 500 Wheel Block**



Weight (kg)	Max Wheel load (kN)	K-max (mm)	Splined hub profile DIN 5480	Bear type
380	400	130	W90×3×30°×28×7H	32030X
			W110×3×30°×35×7H	



The pre-set mounting surface is suitable for almost any connection.



Top Mounting

Pin Shaft Mounting

Single-side Mounting

End Mounting

